



The Leader In Performance

**Transmissions & Converters**

1.888.776.9824 • 1.662.224.8972

www.tciauto.com

## TCI® 6x Six-Speed Transmission Q&A

**Q:** What signals does the 6x Six-Speed Transmission need from the engine?

**A:** TPS and RPM

**Q:** What slip yoke & shifter does the 6x Six-Speed Transmission use?

**A:** TH400/4L80E slip yoke & any standard four-speed automatic forward pattern shifter.

**Q:** What do I need to know to set up the computer?

**A:** Simply answer a few basic questions like rear gear ratio, max engine RPM, tire height, number of cylinders, tach type and TPS set up.

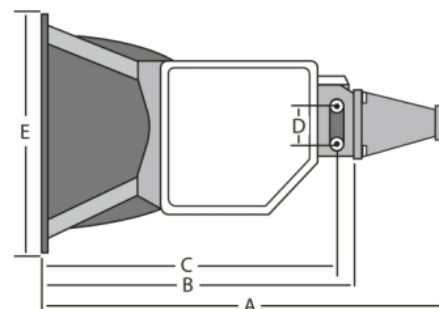
**Q:** How does the transmission know when to go into manual shifting mode?

**A:** A toggle switch utilizing a 12v source will need to be wired in.

**Q:** What are the dimensions of the 6x Six-Speed Transmission?

**A:** Complete dimensions are:

Style	A	B	C	D	E
Std. 2WD	32 <sup>11</sup> / <sub>16</sub>	26	30 <sup>3</sup> / <sub>8</sub>	4 <sup>1</sup> / <sub>4</sub>	20
HD 2WD	31 <sup>15</sup> / <sub>16</sub>	26	30 <sup>3</sup> / <sub>8</sub>	4 <sup>1</sup> / <sub>4</sub>	20
HD long	33	26	30 <sup>3</sup> / <sub>8</sub>	4 <sup>1</sup> / <sub>4</sub>	20
4 X 4	29	26	30 <sup>3</sup> / <sub>8</sub>	N/A	20



**Q:** Do I have to use the paddle shifter?

**A:** No. You can use a floor shifter and the transmission will shift automatically or you can wire your own two-button set to manually up-shift and down-shift the forward gears.

**Q:** What is the converter bolt pattern on the converters for the 6x Six-Speed?

**A:** TCI® Torque Converters have both narrow (10.75") and wide GM (11.5") bolt patterns.

**Q:** Does the 6x use a lock-up style torque converter?

**A:** Yes

**Q:** Is this the same transmission as a 6L80E?

**A:** No. This is a transmission that TCI® has designed using a 4L80E case as the base model.

**Q:** Can this transmission operate with a factory computer or without the TCI® computer?

**A:** No, the 6x transmission requires the use of a TCI® Transmission Control Unit for proper operation.

**Q:** What engines will this transmission bolt up to?

**A:** The Standard 6x comes with the standard GM bell housing bolt pattern however, we have adapter bell housings to accommodate: Small Block Ford, Big Block Ford and Ford Modular Engines; as well as Small Block Chrysler, Big Block Chrysler and Hemi engines.

**Q:** What starter do I use for a Chrysler or Ford application?

**A:** Any stock or aftermarket starter will work.

**Q:** Can I shift through all six gears with my floor shifter?

**A:** No, the manual valve and valve body only work off of four positions. Shifting manually with a floor shifter would only allow gears one, three and five.

**Q:** Will this system work with my FAST™ XFI™ unit?

**A:** Yes, this system incorporates 2 CAN connectors that simply plug into the FAST™ XFI™ "CAN link".

**Q:** Can the gear ratios be changed?

**A:** Yes, but the current ratios that we have given the transmission, has the best spread between shifts.

**Q:** Will this improve my fuel efficiency over my TH400?

**A:** Yes, when using any three-speed transmission high gear is 1:1 with a non lock- up converter, whereas the 6x has a high gear of .75:1 and a lock-up converter.

**Q:** Do you offer cooler fittings for AN connections?

**A:** Yes, you do have the option to purchase a fitting that will have #6 AN fitting (831011).

**Q:** Is this a factory planetary?

**A:** No, this is a 6-pinion rear and 5-pinion front planetary that is designed and manufactured at TCI®.

**Q:** Can I use my factory LS1 (2,3,6,7, etc.) flex plate with this transmission and converter?

**A:** No, you will have to use one of our "LS1" flex plates (399754 LS1 wide GM wide pattern, 399755 LS9, or 399756 LSA) and the crank adapter that comes with each flex plate.

**Q:** How much horsepower will the transmission withstand?

**A:** The 6x has a lifetime warranty up to 850HP.

**Q:** Can I use my factory steering wheel with the paddle shifter?

**A:** No. You must use an aftermarket 5- or 6- bolt style steering wheel.

**Q:** How many quarts of fluid does it hold?

**A:** Typically the 6x will hold 12-14 quarts but that will vary depending on converter size.

**Q:** Will the 6x Six-Speed work with other transmission controllers?

**A:** No

**Q:** Will my MAC laptop connect?

**A:** Yes, but you will need to call TCI® for details on how to set it up.

**Q:** What is HDT Coating™?

**A:** HDT stands for "Heat Dissipating Technology". This is a specially formulated coating that we use on every transmission and torque converter to help dissipate heat build-up.

**Q:** Will the coating inside the pan gum-up the valve body, potentially damaging my new transmission?

**A:** No. The coating on the inside of the pan is an "E-Coating" that will not come off or harm the transmission. Some OEM's have used this same coating for numerous years.